

# 835S RETAIL COFFEE GRINDERS

Project

Date

Models  
**835S**

Item #

Quantity



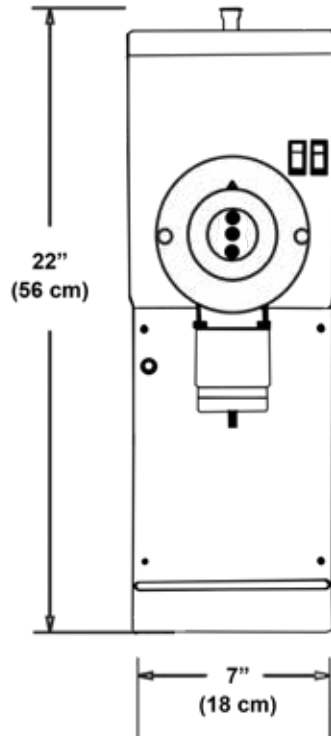
**Model 835S**

## Features

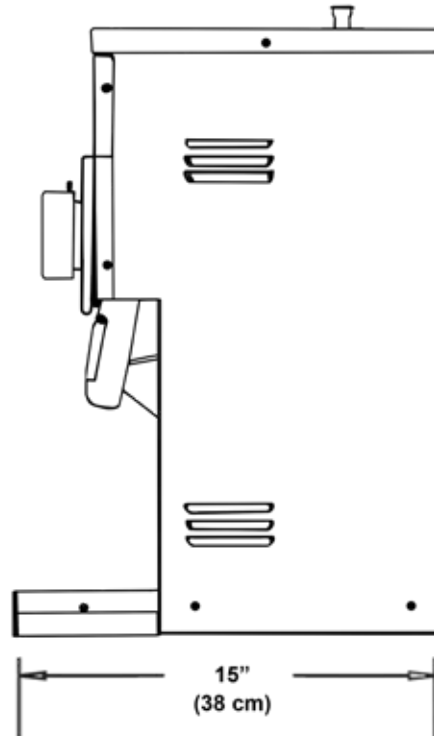
- Compact and powerful retail coffee grinders.
- Space-saving size of only 7" (18 cm) wide, with a fast grind speed and powerful, energy-efficient 0.5 hp motor to make quick work of coffee beans.
- Motor includes circuit breaker.
- Ideal for low to medium volume specialty shops, grocery stores, doughnut shops, and c-stores.
- Precision burrs guaranteed to process 40,000 lbs. (18,144 kg) of coffee at medium grind.
- Exceptional warranty program: burrs - 4 years or 40,000 lbs. (18,144 kg) of coffee, all other components - 2 years.
- Multiple grind particle profile selections.

# 835S RETAIL COFFEE GRINDERS

Model 835S  
represented



Front View



Side View



Intertek

MODEL	DESCRIPTION	ELECTRICAL	PRODUCT DIMENSIONS (H X W X D)	SHIPPING DIMENSIONS (H X W X D)	SHIP WEIGHT
<b>835S</b> (835-BS)	Black with 1.5 lbs. (0.68 kg) hopper	115V / 0.92 kW / 8A / 1 Ph NEMA 5-15P line cord included.	22" x 7" x 15" (56 cm x 18 cm x 38 cm)	27.5" x 12.5" x 18.5" (70 cm x 32 cm x 47 cm)	43 lbs. (19.5 kg)